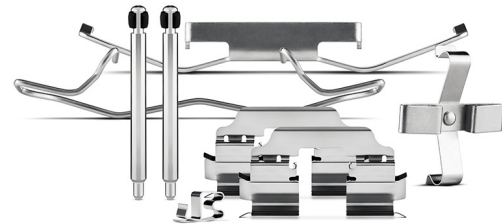


MAKE YOUR PADS WORK ELIMINATE BRAKE NOISE

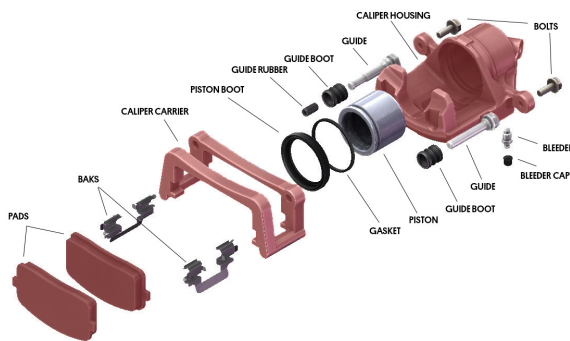
BRAKE ACCESSORY KITS FOR DISC BRAKES → D4*A

When antivibration parts lose tension, noise during braking appears and pads do not slide properly

REPLACE THE ANTIVIBRATION PARTS AT THE SAME TIME AS THE BRAKE PADS



BRAKE ACCESSORY KIT



**HOW TO REPAIR A DISC BRAKE CALIPER?
SCAN QR CODE**

PREVENT EMERGENCY BRAKE FAILURE

BRAKE ACCESSORY KITS FOR DRUM BRAKES → D3*A

Do not wait till your brake shoes are stiff

REPLACE ALL PARTS EVERY 2 BRAKE PADS REPLACEMENTS



DRUM ACCESSORY KIT



**HOW TO REPAIR A DRUM BRAKE?
SCAN QR CODE**